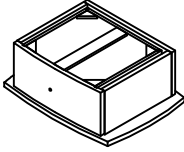
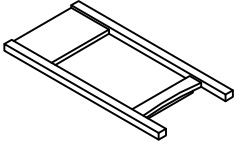
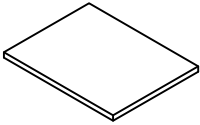






# ASSEMBLY INSTRUCTIONS

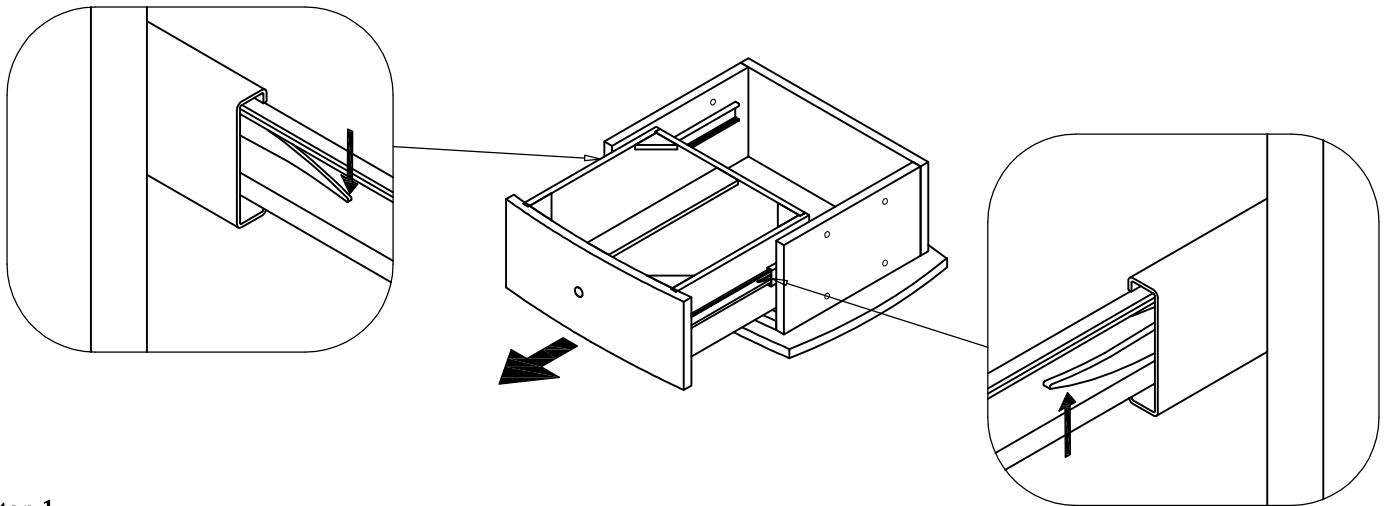
## RAKE STYLE NIGHTSTAND

### PARTS LIST

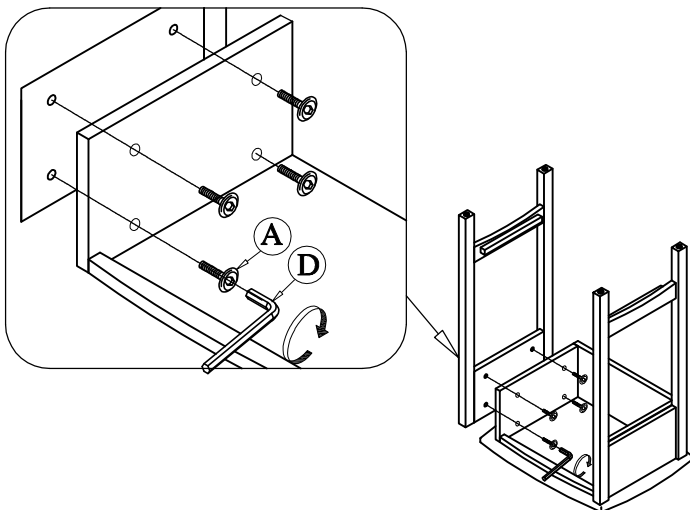
Code	Description	Q'ty
1 . Top Unit		1 pc
2 . Sides		2 pcs
3 . Shelf		1 pc

### HARDWARE LIST

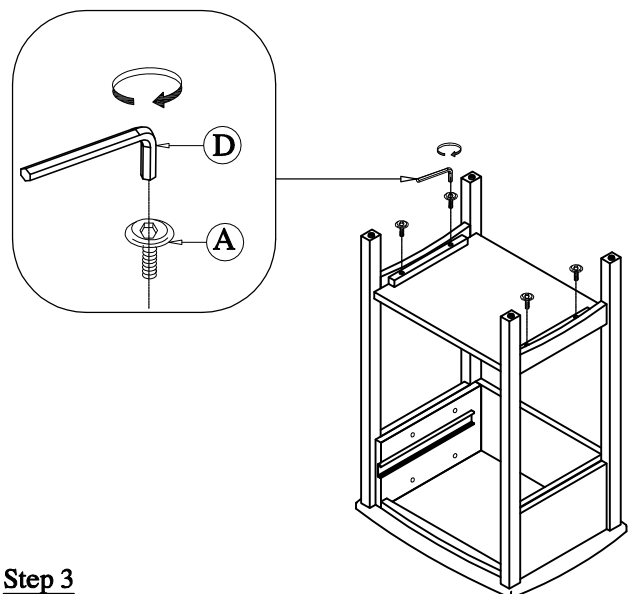
Code	Description	Q'ty
A . Bolt 1/4" x 30mm		12 pcs
B . Knob Ø34		1 pc
C . Bolt 5/32"x28mm		1 pc
D . Allen Key 4mm		1 pc



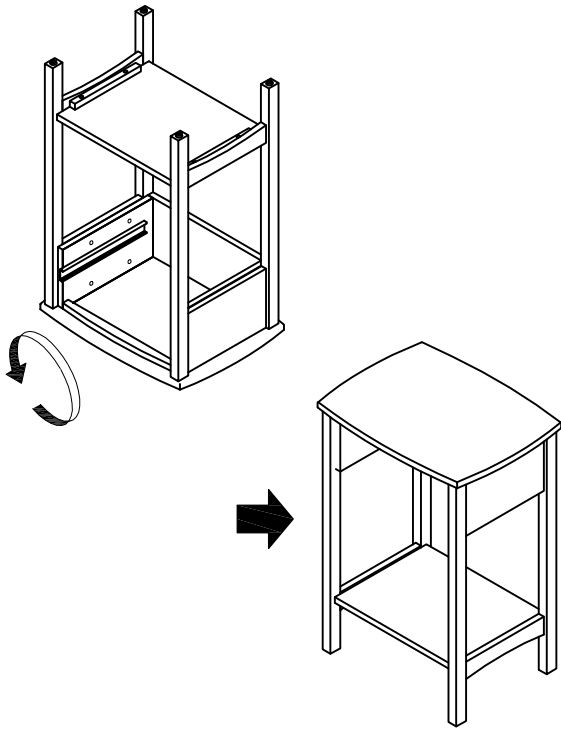
**Step 1**



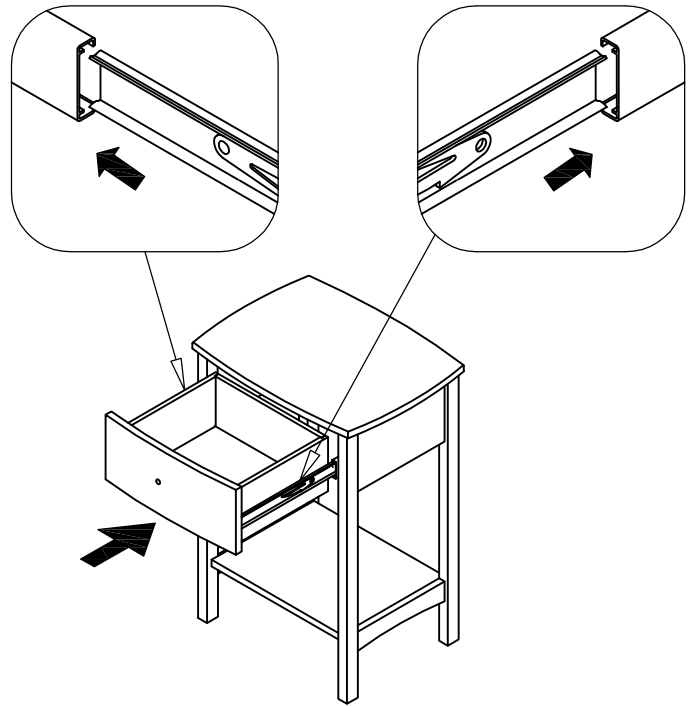
**Step 2**



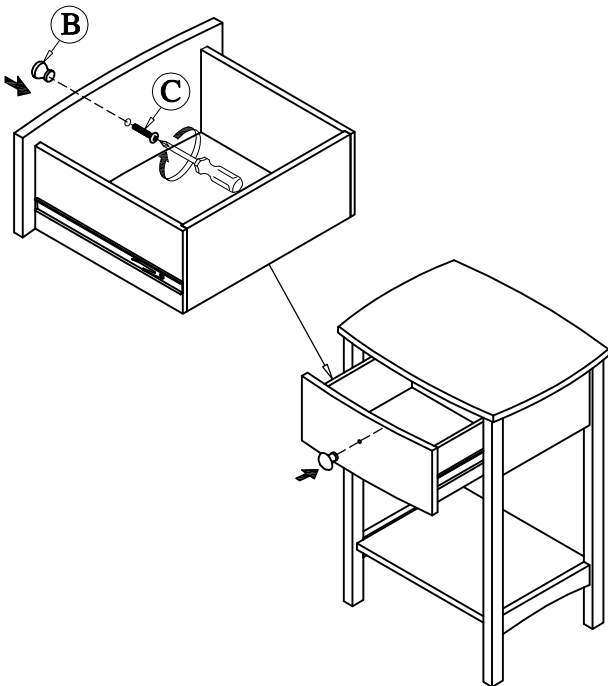
**Step 3**



**Step 5**

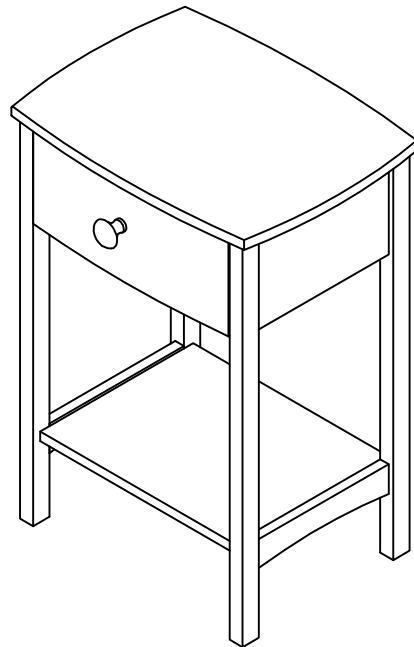


**Step 6**



**Step 7**

1. Please adjust the levelers if the floor is not even.
2. Make sure to tighten all bolts before use. Enjoy it now.



**Step 8**

Copyright 2015 Mantua Mfg. Co.



**MANTUA**  
MFG CO.