









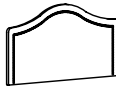



HEADBOARD ONLY ASSEMBLY INSTRUCTIONS

CAM50HBCS/50FBCS/CAM66HBCS/66FBCS/CAM50HBCC/50FBCC
CAM66HBCC/66FBCC

HARDWARE LIST

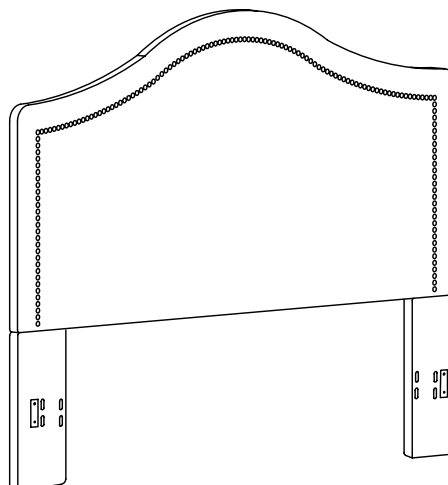
NO	SKETCH	DESCRIPTION	SIZE	QTY
1		Flat Washer	M8 x 19mm	16PCS
2		Spring Washer	M8	12PCS
3		Bolt	M6 x 70mm	4PCS
4		Bolt	M8 x 45mm	8PCS
5		Allen Key	M5	1PC
6		Wrench	10mm	1PC
7		Nut	M6	4PCS
8		Allen Key	M4	1PC

PARTS LIST

NO	SKETCH	DESCRIPTION	QTY
A		Headboard	1PC
B1		Left Headboard Leg	1PC
B2		Right Headboard Leg	1PC
C		Connecting Bar	2PCS

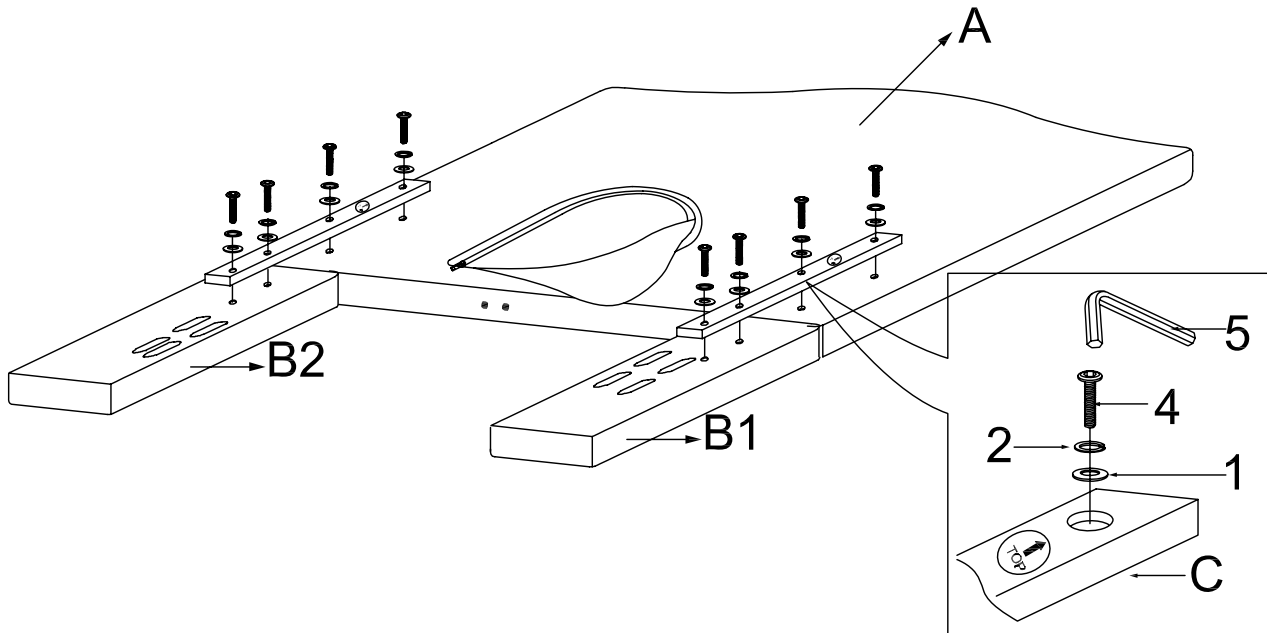
*****PARTS ARE PACKGED IN THE BACK OF THE HEADBOARD UNDER THE FABRIC BACKING.**

*****NOTE: THIS PARTS LIST APPLIES FOR HEADBOARD ONLY USE. FOR COMPLETE BED PURCHASE, SEE PAGE THREE FOR COMPLETE PART LIST AND ASSEMBLY INSTRUCTIONS.**



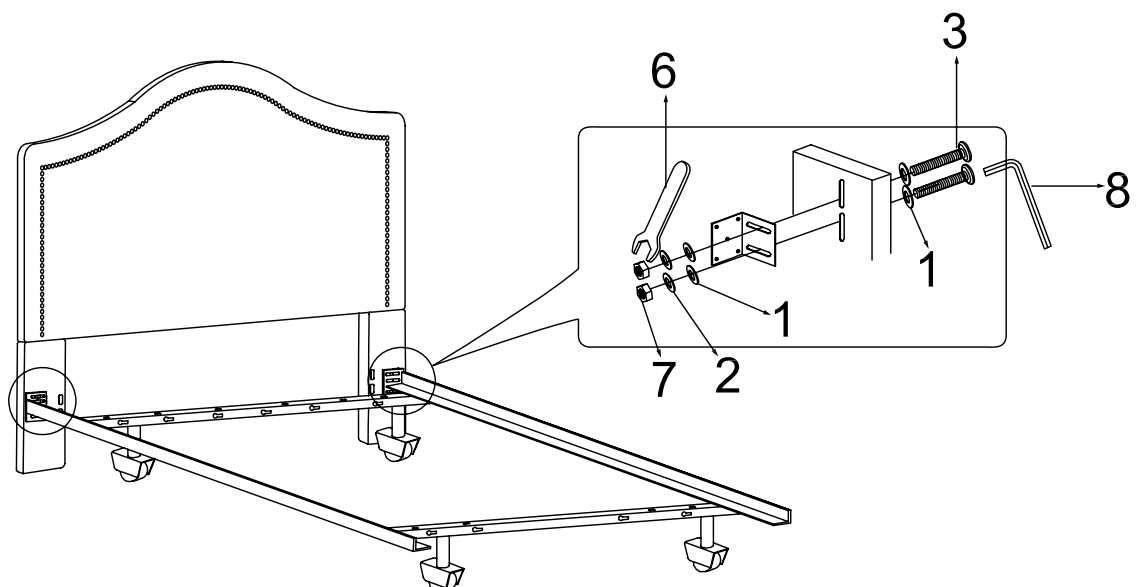
Step 1.

Lay headboard face down on a soft surface. Add Spring Washer (Part 2) and then Flat Washer (Part 1) to Bolt (Part 4). Add Connection Bar (Part C) as shown below to both sides of the headboard. Note that the red arrow on the connection bar should be facing toward the top of headboard. Attach Left & Right Legs to the headboard as shown. Before tightening completely, make sure that the legs are flush with the edges and bottom of the headboard.



Step 2.

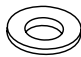



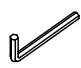








Align bed frame with pre-drilled holes of headboard legs. Add Flat Washer (Part 1) to Bolt (Part 3). Insert bolts through the headboard legs. Add Flat Washer (Part 1) then Spring Washer (Part 2) and Nut (Part 7) and tighten using Allen Key (Part 5) and Wrench (Part 6).






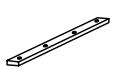
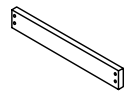

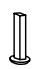
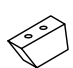
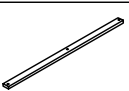


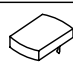


PLATFORM BED ASSEMBLY INSTRUCTIONS

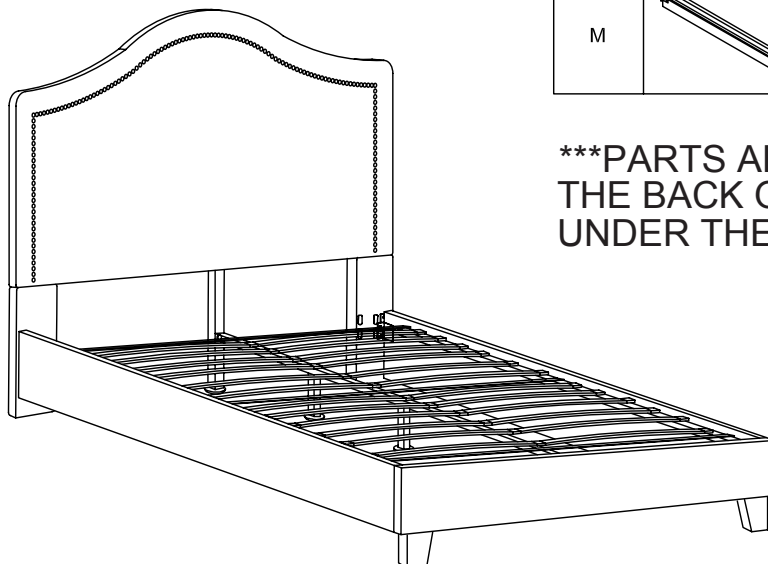
CAM50HBCS/50FBCS/CAM66HBCS/66FBCS/CAM50HBCC/50FBCC
CAM66HBCC/66FBCC

HARDWARE LIST

NO	SKETCH	DESCRIPTION	SIZE	QTY
1		Flat Washer	M8 x 19mm	42PCS
2		Spring Washer	M8	29PCS
3		Bolt	M6 x 70mm	4PCS
4		Bolt	M8 x 45mm	11PCS
5		Allen Key	M5x70x60mm	2PCS
6		Wrench	10mm	1PC
7		Nut	M6	4PCS
8		Bolt	M8 x 65mm	2PCS
9		Bolt	M8 x 25mm	12PCS
10		Wood dowel	M8 x 35mm	2PCS
11		Bolt	M6 x 45mm	9PCS
12		Wing nut	M6	9PCS
13		Allen Key	M4x50x45mm	1PC

PARTS LIST

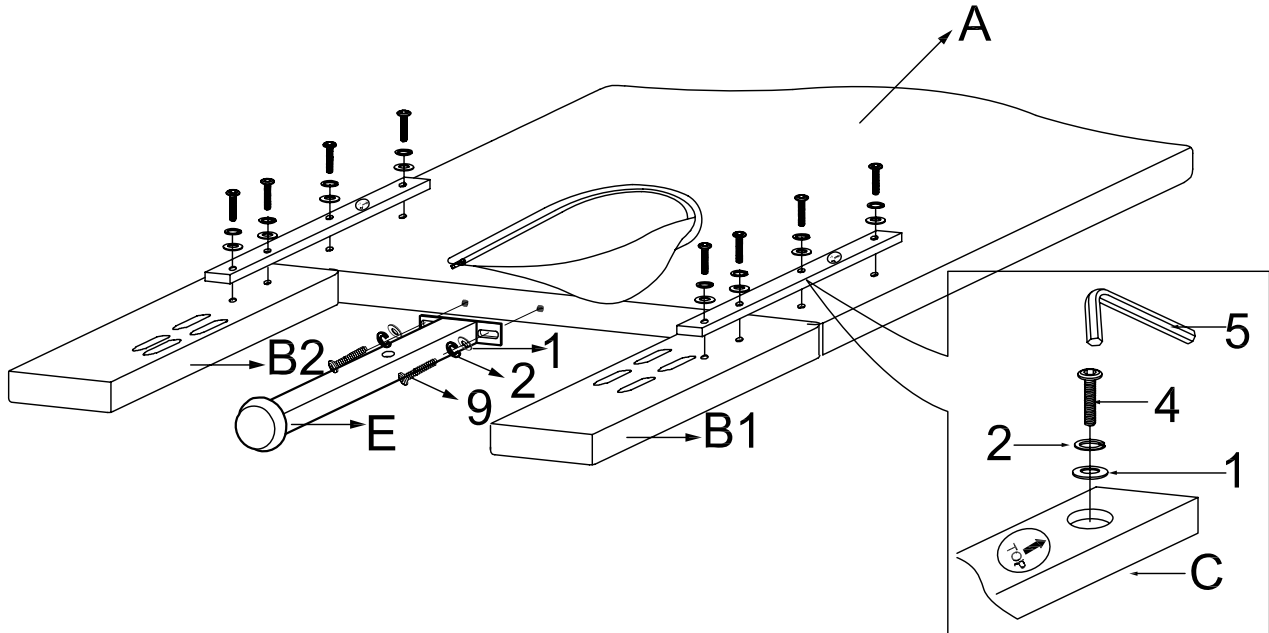
NO	SKETCH	DESCRIPTION	QTY
A		Headboard	1PC
B1		Left Headboard Leg	1PC
B2		Right Headboard Leg	1PC
C		Connecting Bar	2PCS
D		Footboard	1PC
E		Headboard Support Leg	1PC
F		Center Rail Support Leg	2PCS
G		Footboard Leg	2PCS
H		Flat Slat	3PCS
I		Curved Slat	24PCS
J		Center Rail	1PC
K		Center Plastic Connector	12PCS
L		End Cap	24PCS
M		Side Rail	2PCS



***PARTS ARE PACKGED IN THE BACK OF THE HEADBOARD UNDER THE FABRIC BACKING.

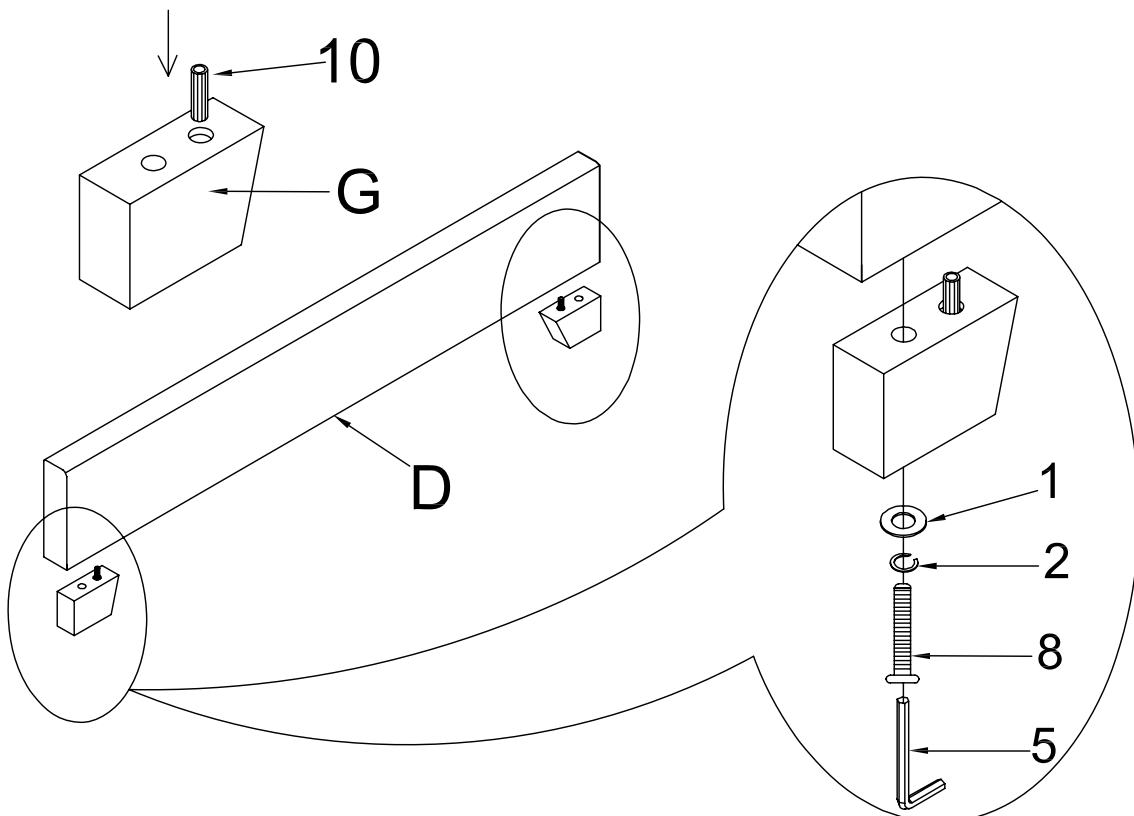
Step 1.

Lay headboard face down on a soft surface. Add Spring Washer (Part 2) and then Flat Washer (Part 1) to Bolt (Part 4). Add Connection Bar (Part C) as shown below to both sides of the headboard. Note that the red arrow on the connection bar should be facing toward the top of headboard. Attach Left & Right Legs to the headboard as shown. Before tightening completely, make sure that the legs are flush with the edges and bottom of the headboard.

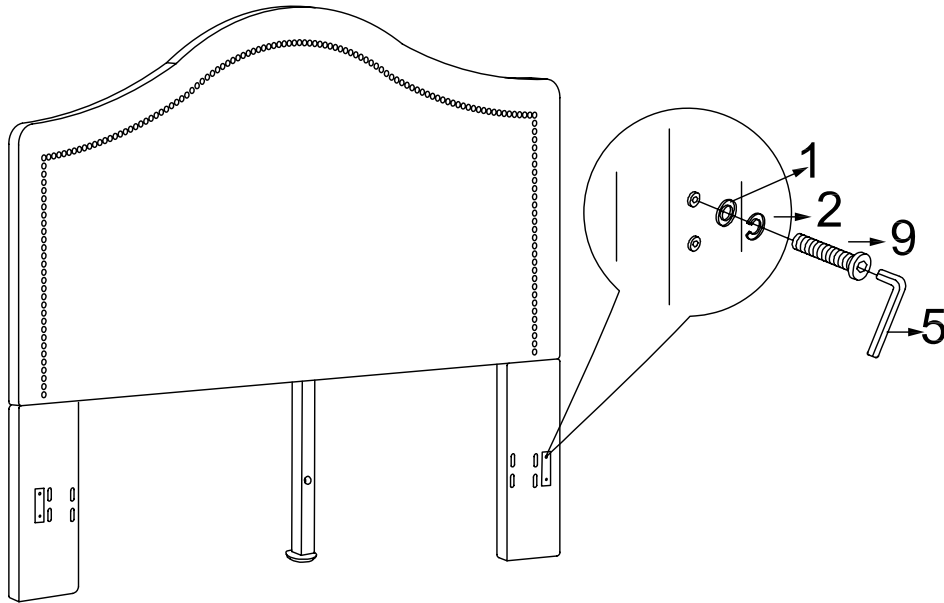


Step 2.

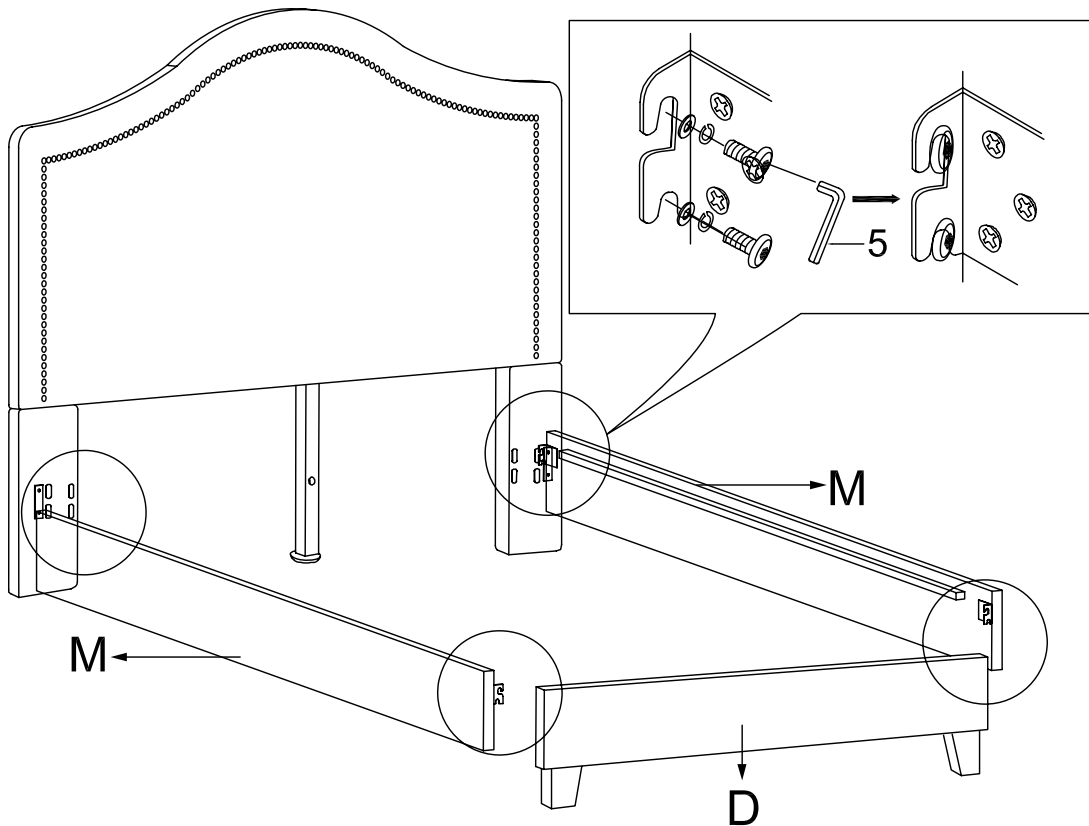
Insert Wood Dowel (Part 10) into Wood Leg (Part G). Add Spring Washer (Part 2), and Flat Washer (Part 1) to Bolt (Part 8). Use Allen Key to attach the legs to the footboard.



Step 3. Add Spring Washer (Part 2), then Flat Washer (Part 1) to Bolt (Part 9). Insert bolts into the metal bracket on the headboard legs. Do not tighten completely. Repeat this step adding bolts to the left and right sides of the footboard.

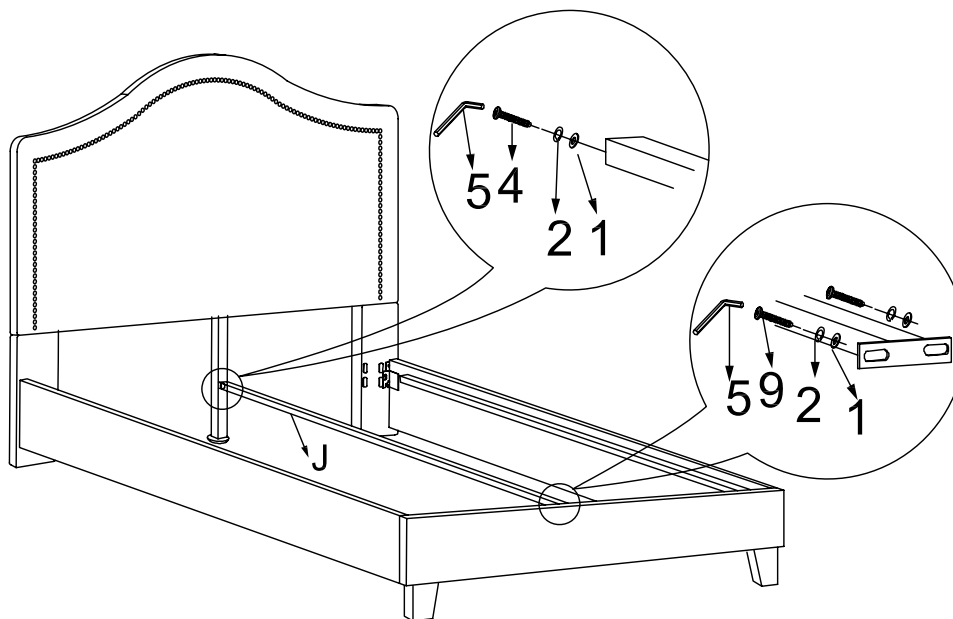


Step 4. Attach Side Rails (Part M) to the headboard and footboard as shown.



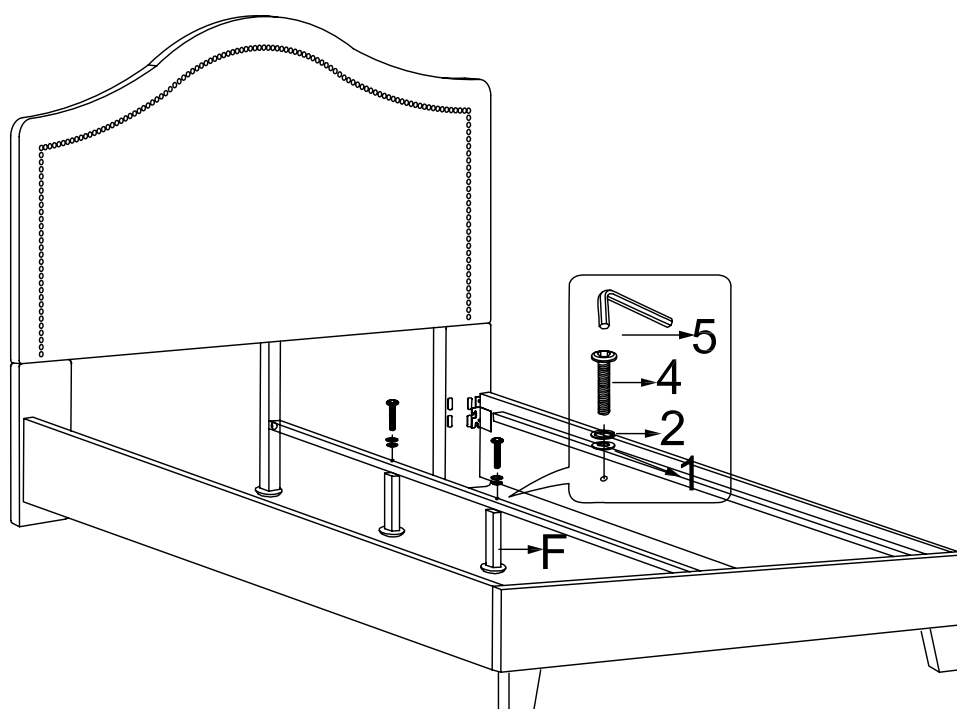
Step 5.

Add Spring Washer (Part 2), then Flat Washer (Part 1) to Bolts (Parts 4 & 9). Using the Allen Key (Part 5), attach the Center Rail (Part J) to the Headboard Support Leg (Part E) and Footboard as shown. Tighten completely.

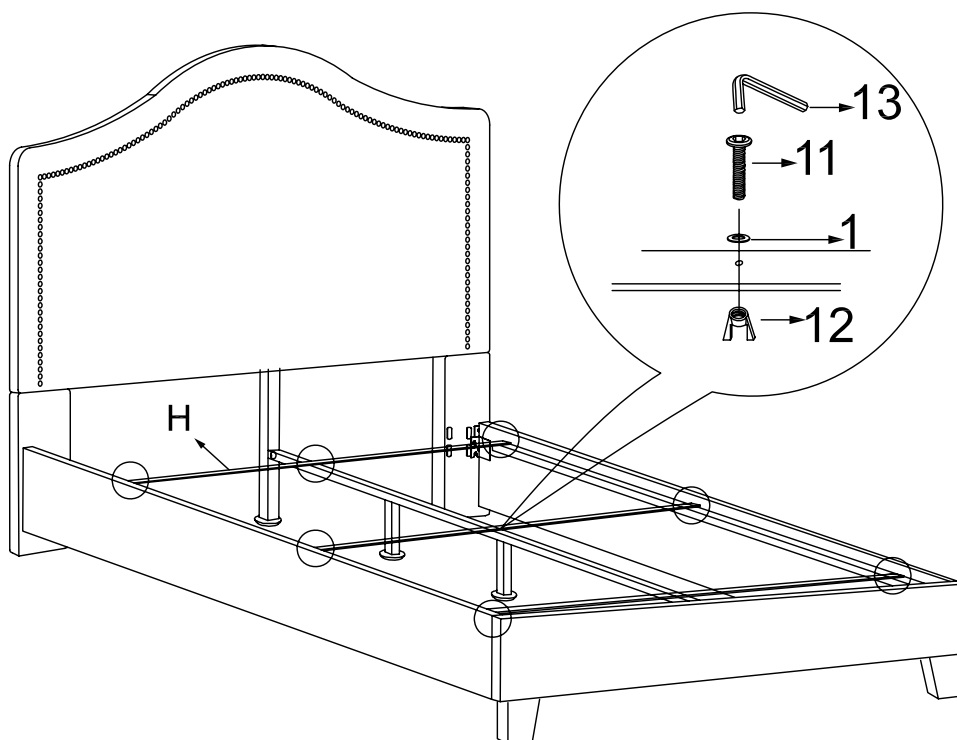


Step 6.

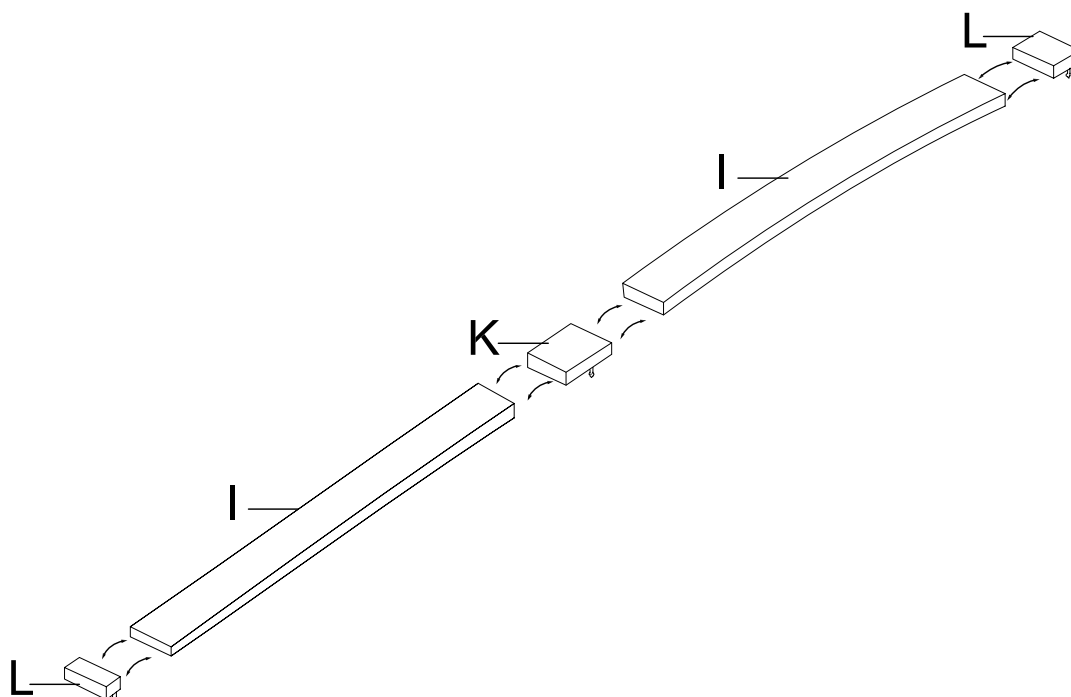
Add Spring Washer (Part 2), then Flat Washer (Part 1) to Bolt (Part 5). Attach Center Rail Support Legs (Part F) as shown. Tighten completely.



Step 7. Add Flat Washer (Part 1) to Bolt (Part 11). Attach Flat Slats (Part H) as shown using Wing Nuts (Part 12) and Allen Key (Part 13). Tighten completely.

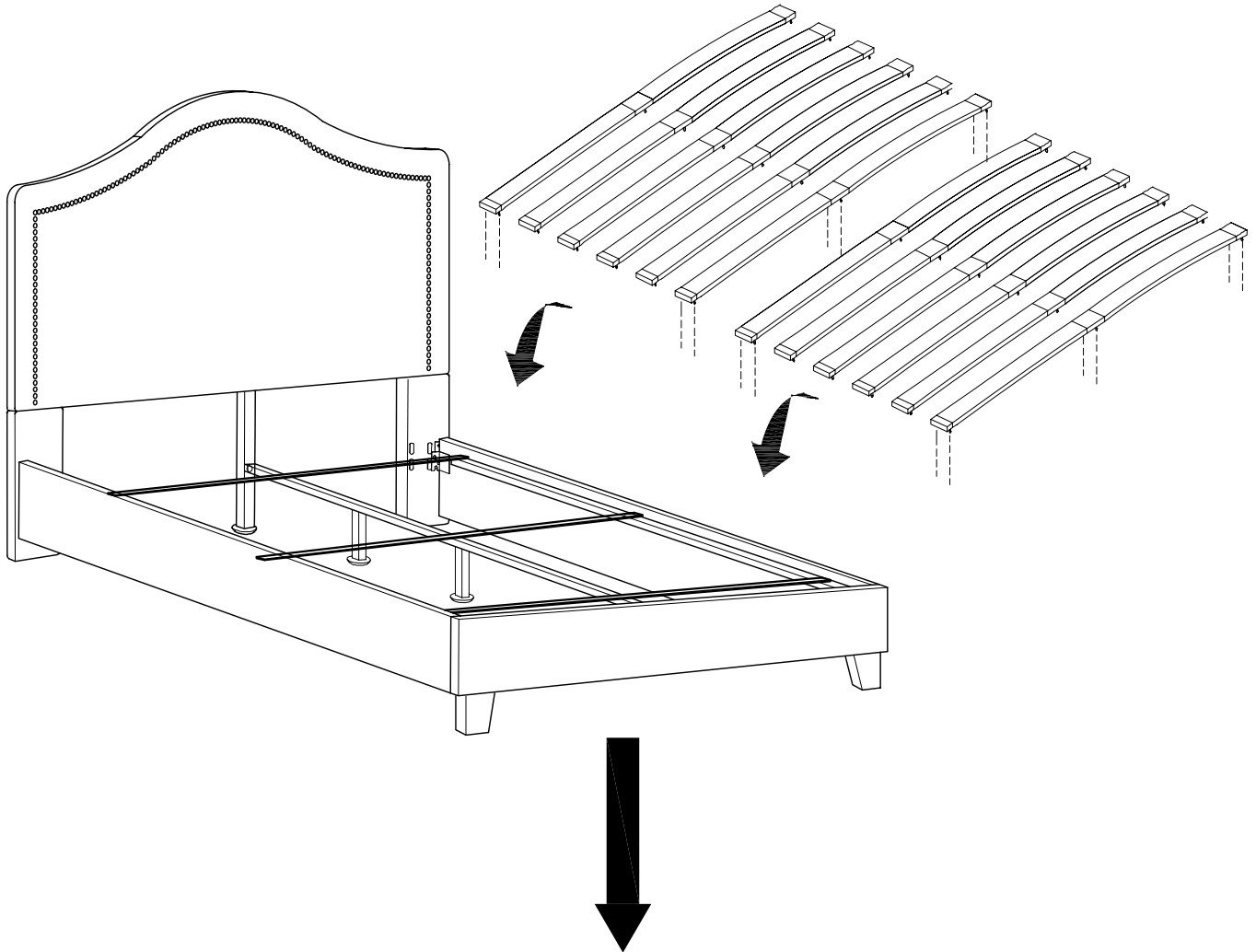


Step 8. Insert the ends of Curved Slats (Part I) into Center Plastic Connector (Part K) and End Caps (Part L). Repeat this step for all Curved Slats.



Step 9.

Attach the Curved Slats pressing the Center Plastic Connectors and End Caps firmly into place.



Congratulations! You are finished.

