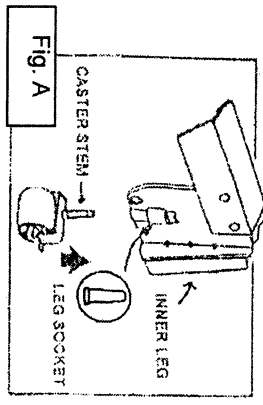


# ASSEMBLY INSTRUCTIONS

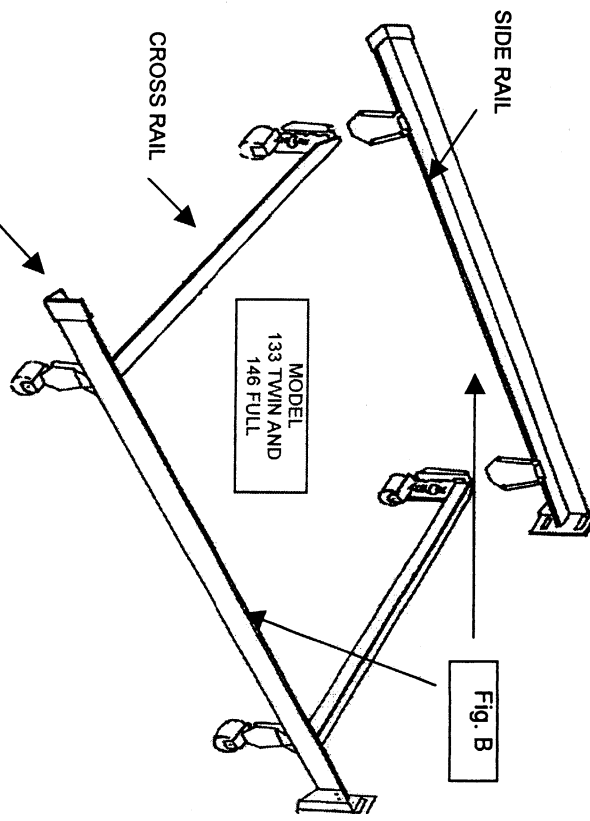
## GRAFTLOCK® FRAMES

MODEL #133R, 146R, 150R, 160R, 166R (RUG ROLLERS)  
 MODEL #133G, 146G, 150G, 160G, 166G (STEEL STEM GLIDES)

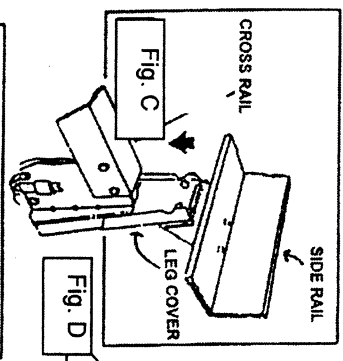
1. Insert plastic socket into legs on cross rails. Insert casters/glides into the plastic sockets. Make sure that the caster/glide stem is fully seated in the plastic socket. (Fig. A)



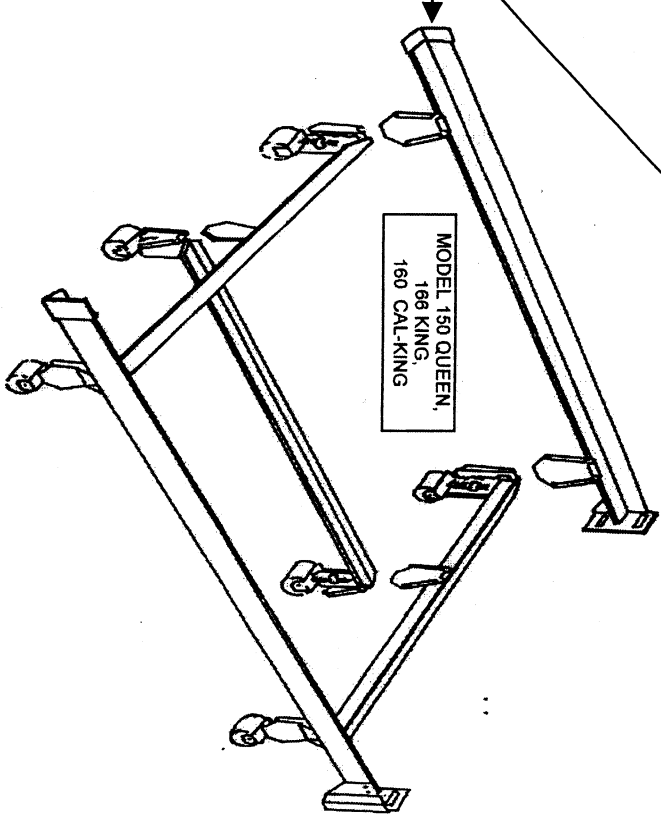
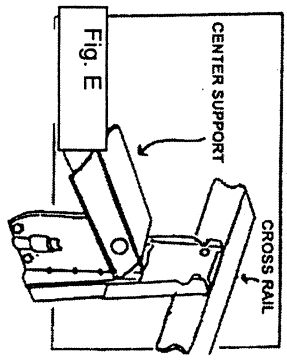
2. Set side rails side by side with the headboard brackets at the same end, leaving enough room between them for the cross rails. (Fig. B) Slip leg covers on side rails over inner legs on cross rails. (Fig. C)



3. Install plastic protective caps over the foot end of the side rails. (Fig. D)



4. Install center support for Queen and King size frames. Next fit the center support legs into the leg covers positioned in the center of the cross rails at the head and foot ends. (Fig. E)



Walton Hills, OH Plant  
 800-333-8333

Tampa, FL Plant  
 800-444-8444

Houston, TX Plant  
 866-762-6882